



RF Components

L-band Passive Equalisers

850 - 2150 MHz

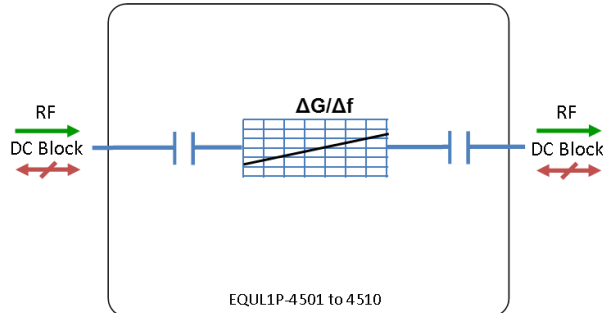
Model Number:
EQU1P-4510

Description specific to each product

- Reciprocal device
- DC block between the 2 ports
- 10dB positive slope

Available with RF connector options:

- 50 Ω SMA
- 50 Ω N-type
- 50 Ω BNC



850-2150 MHz
Operating frequency range. L-Band ready



Compact
Housed in rugged compact enclosure



Flexible Mounting
Tapped screw & through hole mounting options

RF Parameters				
EQU1P-4510-xxxx		S5S5	N5N5	B5B5
Frequency Range		850 - 2150 MHz		
RF Connectors		50 Ω SMA	50 Ω N-Type	50 Ω BNC
Mean Insertion Loss (dB)	Typ.	7.0	7.0	7.0
	Max.	9.0	9.0	9.0
Slope Positive (dB)		10.0 \pm 1.0	10.0 \pm 1.0	10.0 \pm 1.0
Input Return Loss (dB)	Typ.	20	20	18
	Min	15	15	13
Output Return Loss (dB)	Typ.	20	20	18
	Min	15	15	13

Broadcast



Marine Oil & Gas



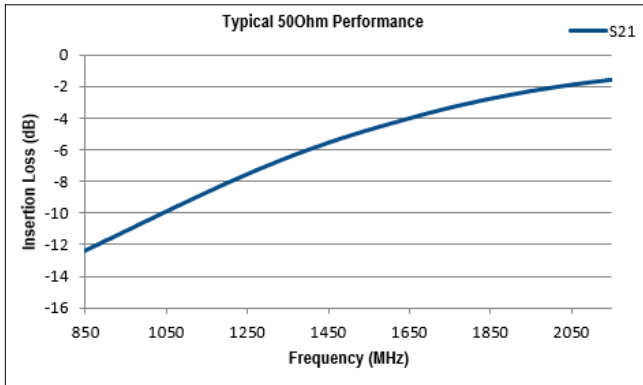
SNG & VSAT



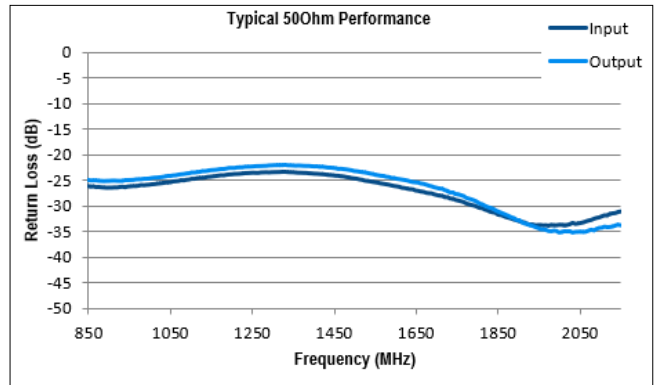
Satellite Teleport



Technical specifications and operating parameters



Gain (dB)



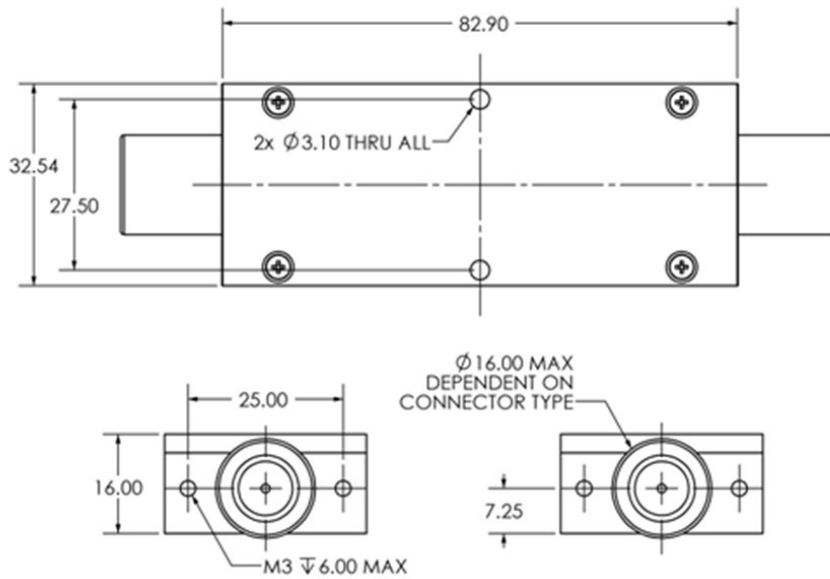
Return Loss (dB)

Environmental		
Operating Temperature		0°C to +45°C
Storage Temperature		-20°C to +75°C
Location		Indoor use Only
Humidity	Max	85% non-condensing
Altitude	Max	10,000 feet

Max Operating Parameters	
Input RF Power	+ 16 dBm (40 mW)
DC Voltage	35 V on any RF port
DC Current	500 mA

! Operation beyond these limits may cause instantaneous and permanent damage.

Physical Dimensions (mm)



Note: The specification is subject to regular reviews and will be updated from time to time as part of our continuing product development and improved specification accuracy.